



Features

Smaller Footprint

Saber King® Mini is 40% narrower and lighter weight than Saber King®

Modular Color-Coded Blade Cartridges

Modular blade sets offer maximum slicing capabilities eliminating additional slicing equipment

Easy to Clean

All-in-one design safely minimize cleaning time to one piece of equipment and blade cartridge

Integrated Handles

Integrated handles safely give operators a firm grip away from the blades during operation and cleaning

Anti-Slip Rubber Base

Anti-Slip rubber feet help stabilize equipment limiting movement during operation

Blue Guided Touch Points and Safeguard Latch

Blue color-coded touch points and dual action safeguard latch help protect operators from blades when slicing

Patented Blade Protectors

Patented blade protectors and housing keep sharp blades contained and operators safe

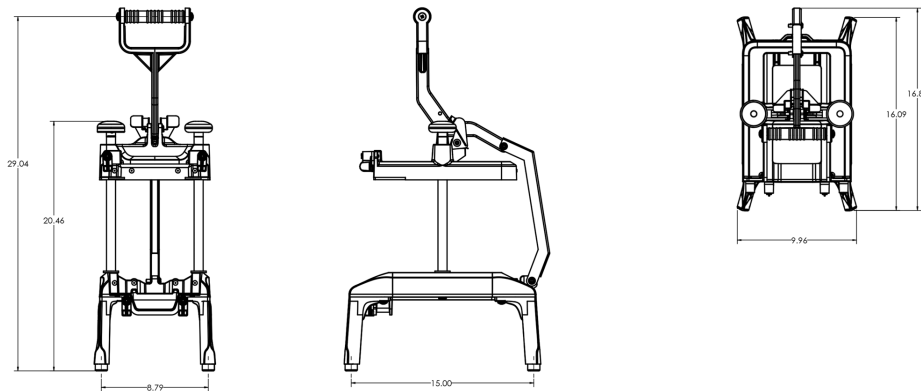
Cast Aluminum Construction

Sturdy cast aluminum construction

Warranty

1-Year parts and labor (Not including blade/pusher cartridge) Blade/Pusher cartridge warranted to be free of defects at the time of delivery





Technical Specifications

Product Category	Slicers
Product Dimensions	18.79"W x 20.46"H x 15"D (Closed) 18.79"W x 29.04"H x 15"D (Open)
Weight	Unit: 18 lbs (8.2 kg) Shipping: 21 lbs (9.5 kg)
Exterior Construction	Aluminum construction with anti-slip rubber base
Warranty	1-Year: Parts & Labor <i>Blade/Pusher cartridge warranted to be free of defects at the time of delivery.</i>
Accessories	Saber King Cleaning Kit, Cleaning Brush, Storage Hook, Saber King Onion Pusher Cleaning Tool Kit
Agency Listing	ETL/Intertek Conforms to ANSI/NSF 7 Conforms to ANSI/UL STD 471 Certified to CAN/CSA STD C22.2 No.120

Model Numbers

Model Number	Description
981-000-00	Saber King Mini® Chassis

Accessories

Model Number	Description
980-000-02	Saber King Cleaning Kit
980-000-06	Saber King Onion Pusher Cleaning Tool Kit
980-043	Saber King Brush (white/white)
980-310	Saber King Blade Storage Hook

Blade Cartridges

Model Number	Description	Model Number	Description
981-000-12A	1/4" Tomato Set (2 Tomatoes)	981-000-60A	Wedger Set (4 Section)
981-000-12B	1/4" Tomato Replacement Blade (2 Tomatoes)	981-000-60B	Wedger Replacement Blade (4 Section)
981-000-12C	1/4" Tomato Pusher Head (2cTomatoes)	981-000-60C	Wedger Pusher Head (4 Section)
981-000-20A	3/16" Universal Set	981-000-61A	Wedger Set (6 Section)
981-000-20B	3/16" Universal Replacement Blade	981-000-61B	Wedger Replacement Blade (6 Section)
981-000-20C	3/16" Universal Pusher Head	981-000-61C	Wedger Pusher Head (6 Section)
981-000-50A	1/4" Dicer Set	981-000-62A	Wedger Set (8 Section)
981-000-50B	1/4" Dicer Replacement Blade	981-000-62B	Wedger Replacement Blade (8 Section)
981-000-50C	1/4" Dicer Pusher Head Set	981-000-62C	Wedger Pusher Head (8 Section)
981-000-51A	3/8" Dicer Set	981-000-65A	Wedger Set (Halfer)
981-000-51B	3/8" Dicer Replacement Blade	981-000-65B	Wedger Replacement Blade (Halfer)
981-000-51C	3/8" Dicer Pusher Head	981-000-65C	Wedger Pusher Head (Halfer)
981-000-52A	1/2" Dicer Set		
981-000-52B	1/2" Dicer Replacement Blade		
981-000-52C	1/2" Dicer Pusher Head		

Note: All Model Numbers listed as "Set" include a Replacement Blade and Pusher Head for the Saber King Mini

To learn more and see **Saber King Mini** in action, visit saberking.com
To contact a Saber King expert today, go to saberking.com/contact/